

KXZA 系列壳转传动装置



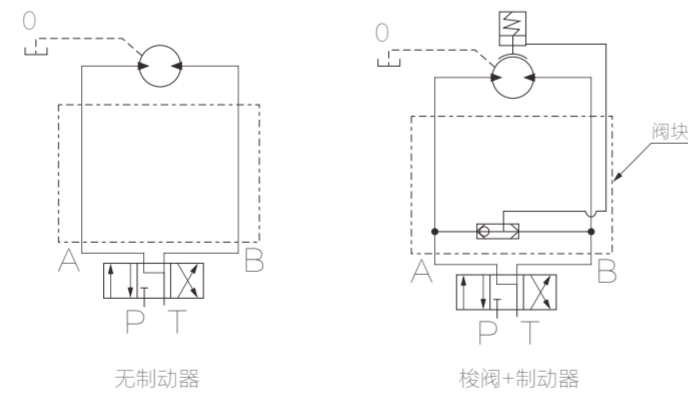
概述

KXZA 系列壳转传动装置具有制动功能的阀组、摆线马达、摆缸马达、制动器、一级或二级行星减速机组成。该设备工作、启动效率高、工作可靠，其输出为转动的外壳，可直接与车轮或履带驱动链轮相连接。由于轴向尺寸小，可内藏于车轮或履带内，从而提高了行走机械的整机通过能力，且使整机的结构紧凑，外形美观。该产品现已广泛运用于工程车辆、履带挖掘机、非开挖钻机、潜孔钻机、轨道车辆、煤炭掘进机、矿山钻机、旋挖钻机设备的履带或车轮的驱动装置中。

Product Overview

KXZA series traveling motor applied to tracked (wheel) is consisted of valve bank with brake function, hydraulic motor, brake, one or two stage planetary gearbox. The equipment is high efficient in working and starting, and reliable for working. The output depends on the rotational of the shell, can be directly connected to wheel or crawler drive sprocket. Due to the small axial size, it can hide into the wheel or track, consequently, The mobile machine's through capacity of machine is improved. And it also make a compact structure beautiful shape for the whole machine. The product now is widely used for transmission devices of tracked (wheel) in such equipment as engineering vehicle, tracked excavator, horizontal drilling rig, down-hole drill, railway vehicles, entry-driving machine, mining rig, rotary drilling rig etc.

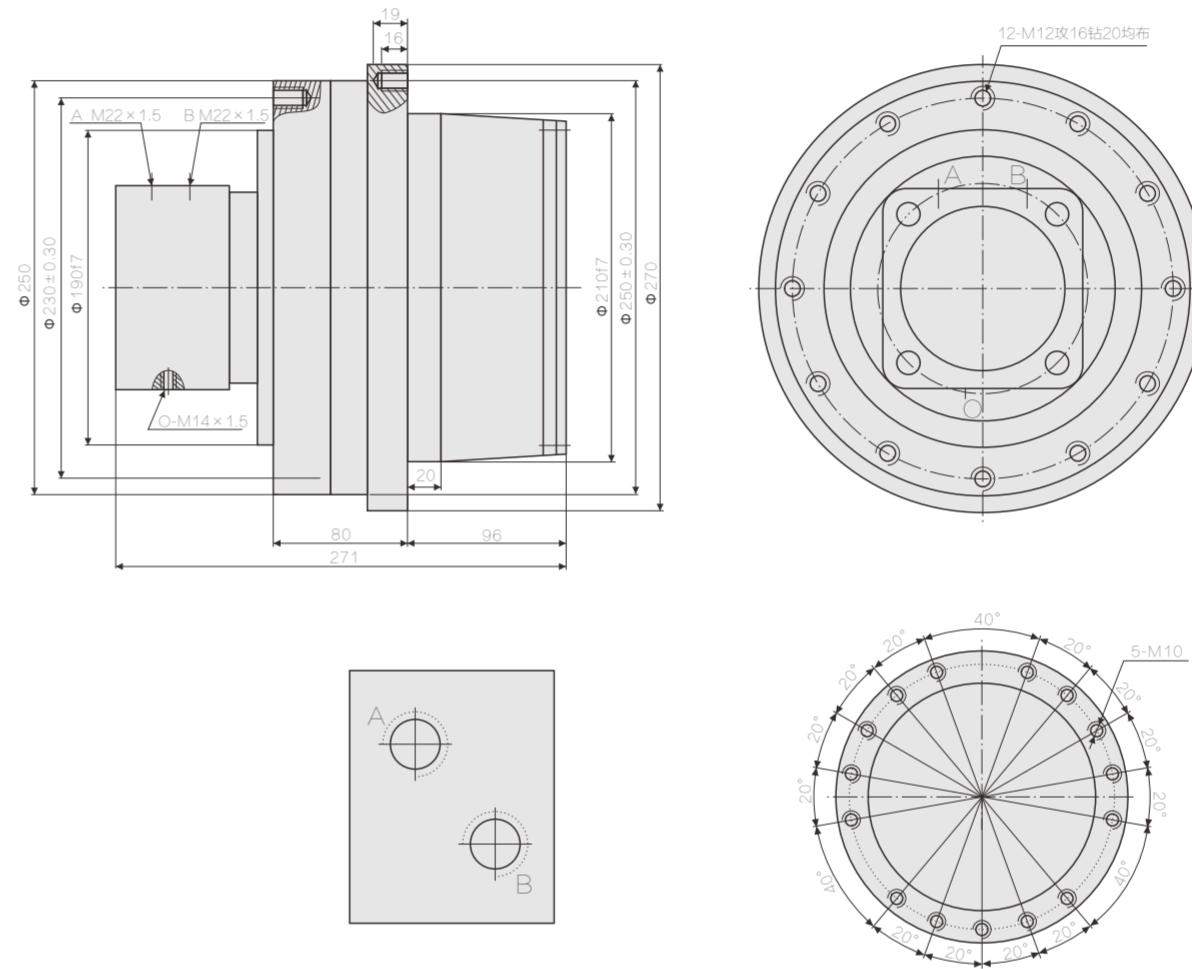
液压原理图
Hydraulic
schematic diagram



KXZA2.5 系列壳转传动装置



KXZA2.5C (掘进机扫煤耙爪) KXZA2.5C (Boring machine swept coal claws)



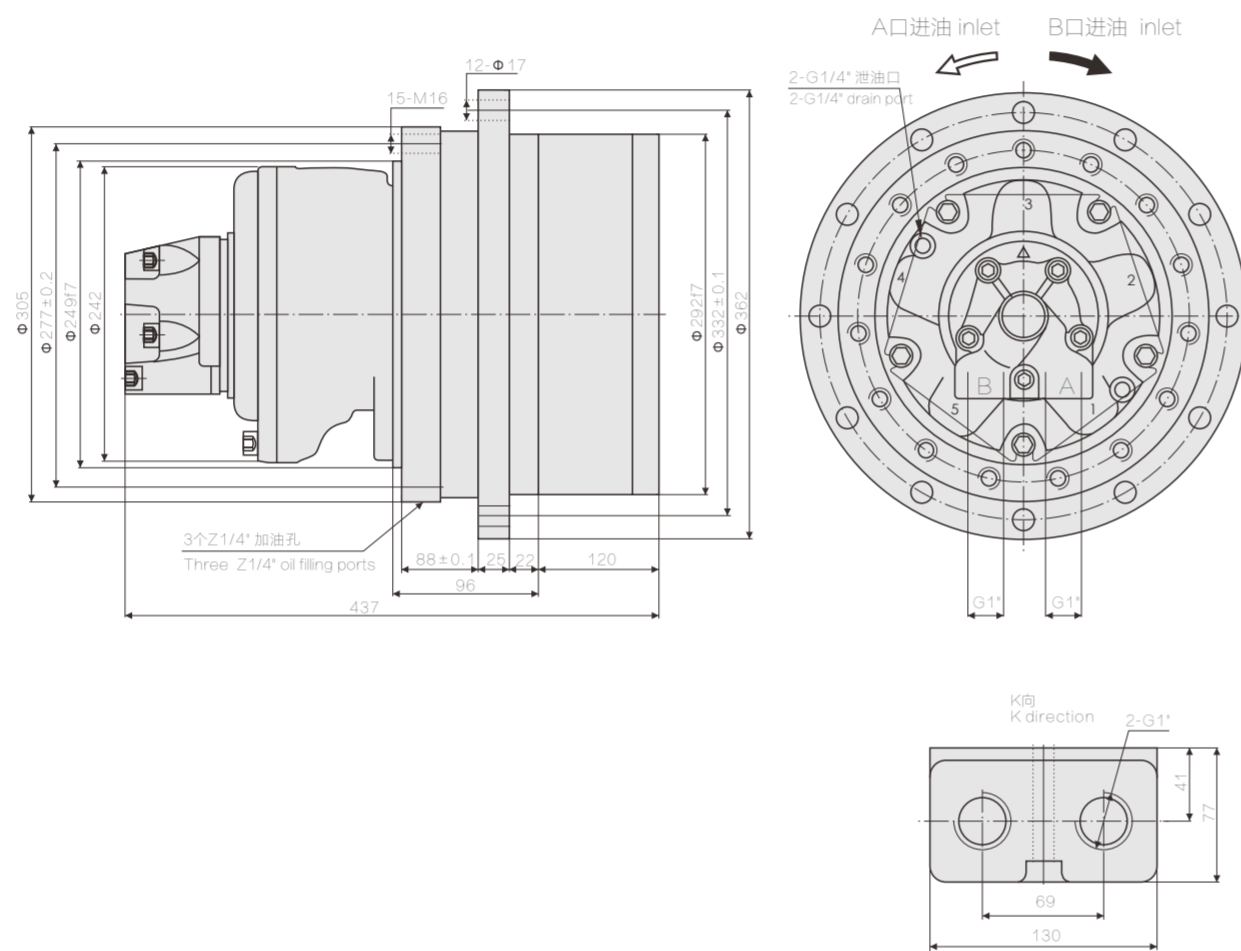
技术参数 Technical data

| 型号 Model | 液压马达 Hydraulic motor | | 传动比 Rotating ratio | 总排量 Displacement (ml/r) | 最高压力 Peak pressure (Mpa) | 额定扭矩 Rated Torque (N.m) | 转速范围 Speed range (r/min) |
|---------------|-------------------------|---------------------------|-----------------------|----------------------------|-----------------------------|----------------------------|-----------------------------|
| | 型号 Model | 排量 (ml/r) Displacement | | | | | |
| KXZA2.5C-450 | BM5-80 | 80 | 6.09 | 487 | 21 | 1400 | 0.1~160 |
| KXZA2.5C-600 | BM5-100 | 100 | 6.09 | 609 | 21 | 1700 | 0.1~150 |
| KXZA2.5C-800 | BM5-130 | 130 | 6.09 | 791 | 21 | 2200 | 0.1~120 |
| KXZA2.5C-1000 | BM5-160 | 160 | 6.09 | 974 | 21 | 2700 | 0.1~110 |
| KXZA2.5C-1200 | BM5-195 | 195 | 6.09 | 1187 | 21 | 3100 | 0.1~100 |

KXZA3 系列壳转传动装置



掘进机用掘进头
The boring head for boring machine



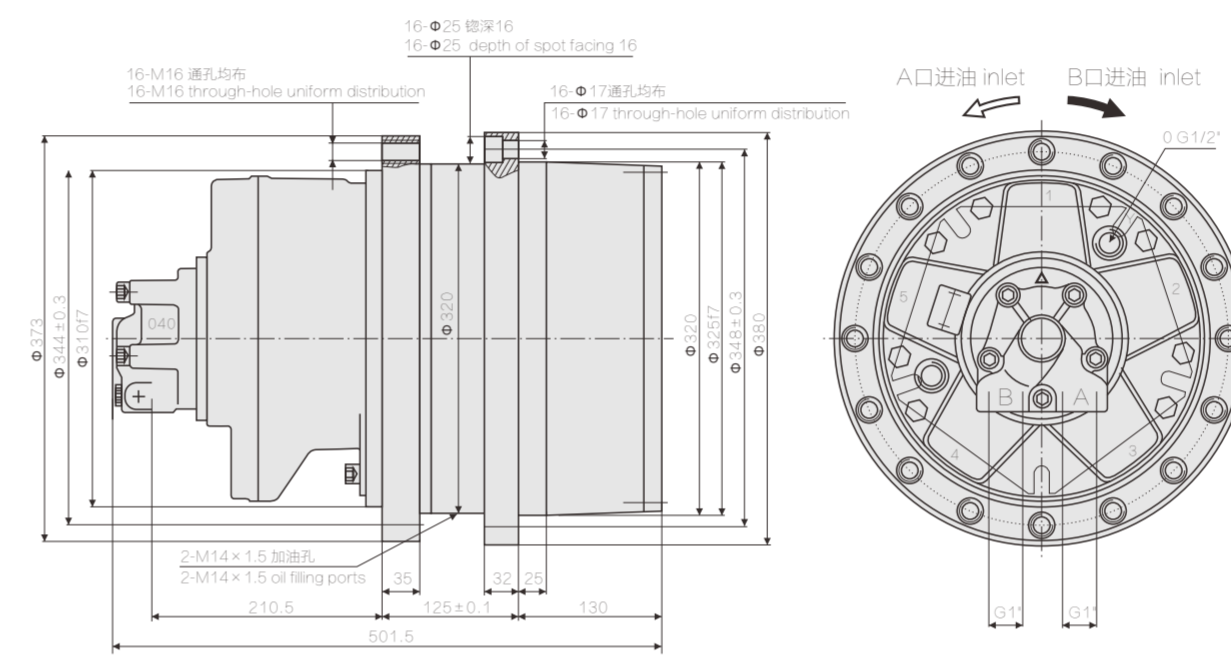
技术参数 Technical data

| 型号 Model | 液压马达 Hydraulic motor | | 传动比 Rotating ratio | 总排量 Displacement (ml/r) | 最高压力 Peak pressure (Mpa) | 额定扭矩 Rated Torque (N.m) | 建议泵供油量 Suggestion of pump oil supply (L/min) | 转速范围 Speed range (r/min) |
|-------------|-------------------------|---------------------------|-----------------------|----------------------------|-----------------------------|----------------------------|---|-----------------------------|
| | 型号 Model | 排量 (ml/r) Displacement | | | | | | |
| KXZA3-1300 | KGM1-250D40 | 243 | 5.35 | 1300 | 25 | 4200 | 94 | 0~70 |
| KXZA3-1700 | KGM1-320D40 | 314 | 5.35 | 1680 | 25 | 5500 | 94 | 0~60 |
| KXZA3-2000 | KGM1-350D40 | 347 | 5.35 | 1856 | 25 | 6500 | 94 | 0~60 |

KXZA4 系列壳转传动装置



掘进机用掘进头
The boring head for boring machine



技术参数 Technical data

| 型号 Model | 液压马达 Hydraulic motor | | 传动比 Rotating ratio | 总排量 Displacement (ml/r) | 最高压力 Peak pressure (Mpa) | 额定扭矩 Rated Torque (N.m) | 建议泵供油量 Suggestion of pump oil supply (L/min) | 转速范围 Speed range (r/min) |
|---------------|-------------------------|---------------------------|-----------------------|----------------------------|-----------------------------|----------------------------|---|-----------------------------|
| | 型号 Model | 排量 (ml/r) Displacement | | | | | | |
| KXZA4-2500D40 | KGM2-420D40 | 425 | 5.75 | 2443 | 20 | 6900 | 164 | 0~60 |
| KXZA4-3000D40 | KGM2-500D40 | 493 | 5.75 | 2835 | 20 | 7700 | 164 | 0~52 |
| KXZA4-3500D40 | KGM2-600D40 | 565 | 5.75 | 3250 | 20 | 9300 | 164 | 0~45 |